

SAFETY ALERT

Asbestos in vehicles

This safety alert provides advice on vehicles that contain asbestos gaskets.

Background

Recently, following the testing of spare parts, new vehicles imported from China were found to have asbestos gaskets. Asbestos has been a prohibited product in Australia since December 2003 but, in many countries, such as China, it is still used in manufactured products.

Australian Customs is working with importers and foreign manufacturers to ensure that products containing asbestos are not imported, however, despite rigorous testing and strict guidelines both here and in the source country, asbestos products continue to be imported.

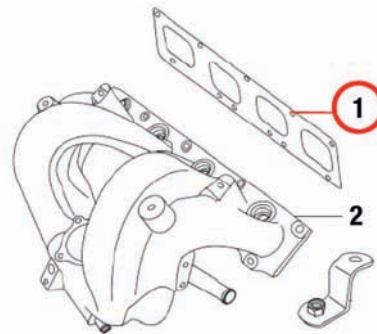
As well as imported new vehicles many older vehicles manufactured before January 2004 contain asbestos in brake, clutch linings and gaskets.

Action required

These diagrams indicate where some asbestos gaskets are located.



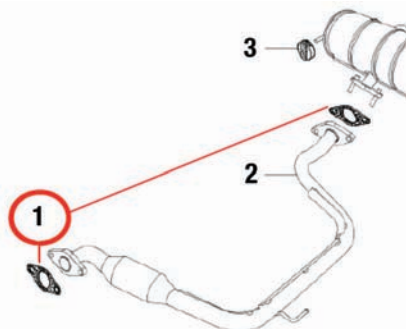
Exhaust manifold gasket



1 (gasket), 2 (exhaust manifold)



Muffler exhaust flange gasket



1 (gasket), 2 (exhaust pipe), 3 (muffler)

If you are replacing a gasket on a new, imported vehicle, contact the local dealership to find out whether the gasket contains asbestos and how to safely handle it if it does. If the vehicle was manufactured before January 2004, assume that the gaskets and brake and clutch linings do contain asbestos.

Handle asbestos-containing products according to the guidelines set out below:

- Appendix F – Safe work practice number 6 – Inspection of friction based material, in the *Code of practice on how to manage and control asbestos in the workplace* (catalogue no. WC03560), available at workcover.nsw.gov.au.
- Appendix D – Removal of gaskets, in the *Code of practice on how to safely remove asbestos*, available at safeworkaustralia.gov.au.

Further information

Work health and safety laws apply to work involving asbestos. Visit workcover.nsw.gov.au or phone **13 10 50** for more information.

Visit the Australian Competition and Consumer Commission (ACCC) website, acc.gov.au for information on product recall.

Disclaimer

This publication may contain work health and safety and workers compensation information. It may include some of your obligations under the various legislations that WorkCover NSW administers. To ensure you comply with your legal obligations you must refer to the appropriate legislation.

Information on the latest laws can be checked by visiting the NSW legislation website (www.legislation.nsw.gov.au).

This publication does not represent a comprehensive statement of the law as it applies to particular problems or to individuals or as a substitute for legal advice. You should seek independent legal advice if you need assistance on the application of the law to your situation.

©WorkCover NSW

Catalogue No. **WC03872** WorkCover Publications Hotline **1300 799 003**
WorkCover NSW, 92-100 Donnison Street, Gosford, NSW 2250
Locked Bag 2906, Lisarow, NSW 2252 | WorkCover Assistance Service **13 10 50**
Website workcover.nsw.gov.au

ISBN 978 1 74341 205 3 ©Copyright WorkCover NSW 0912