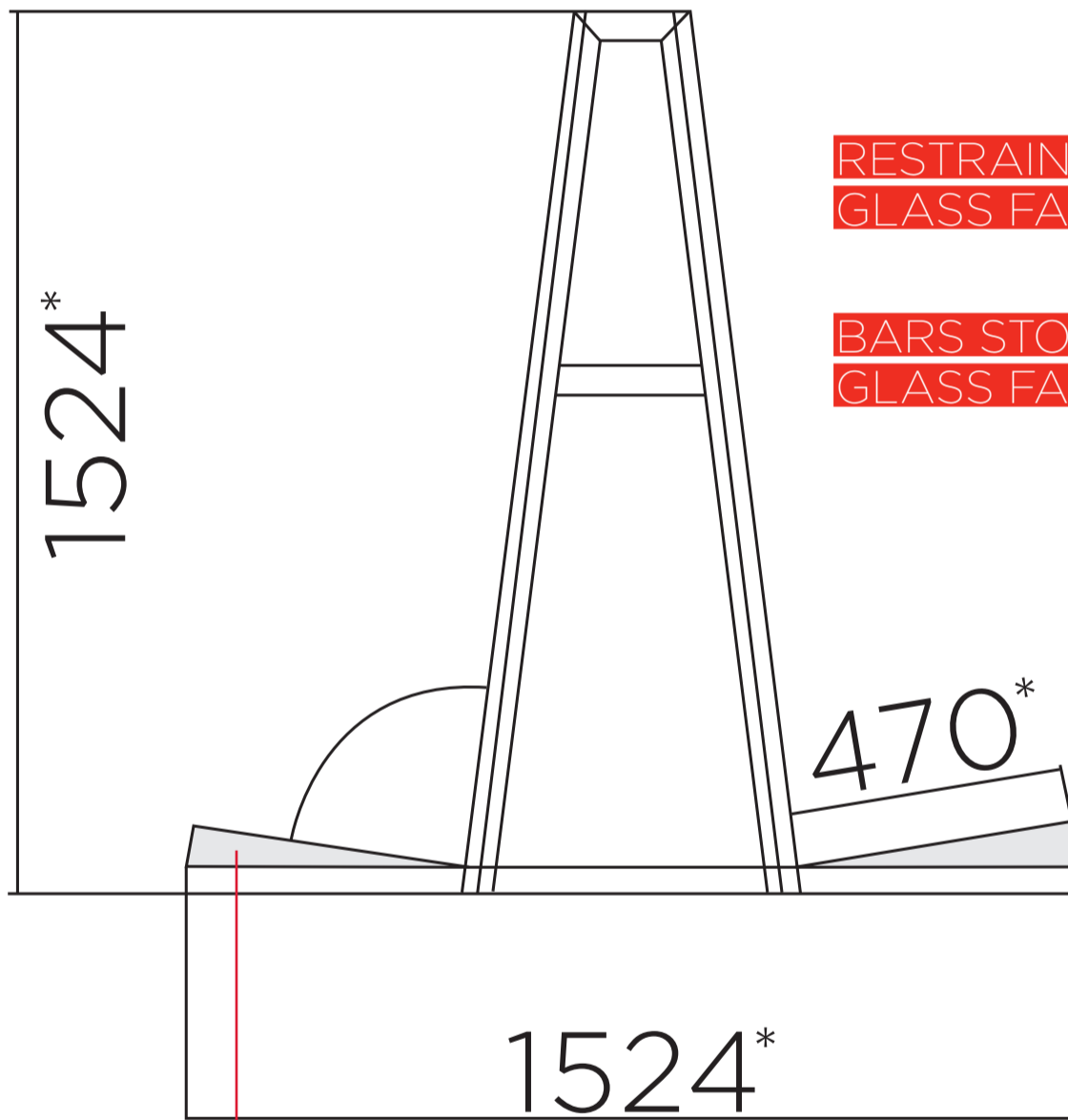
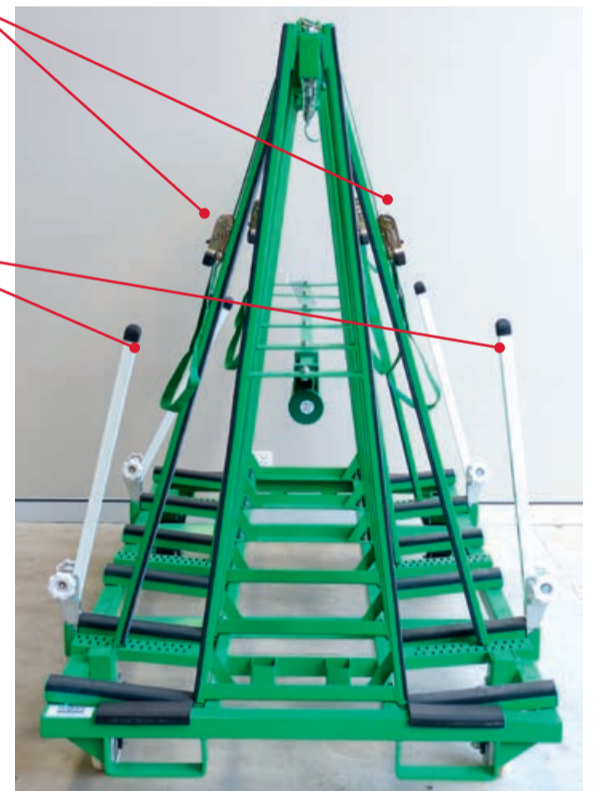
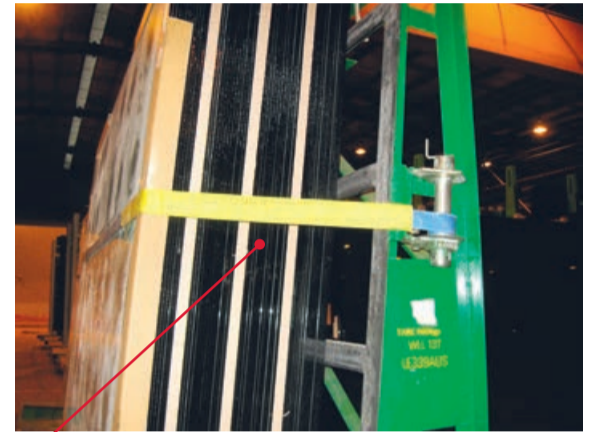


ARE YOU USING APPROPRIATE RACKING TO STORE GLASS?

Ensure that the rack is constructed to support the weight evenly and is load rated. If storing glass against a wall ensure that the wall can support the weight and the glass is appropriately supported.



RESTRAINTS STOP
GLASS FALLING

BARS STOP
GLASS FALLING

*Indicative measurements for illustration purposes



Appropriate chocks on angle prevent tipping.



Glass should be stored vertically between 3°-5° (4° is optimum).